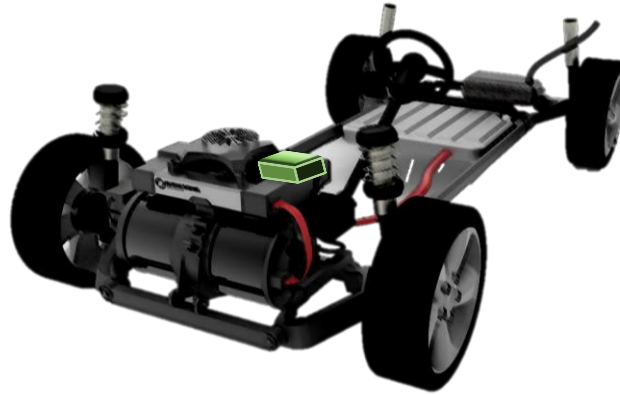


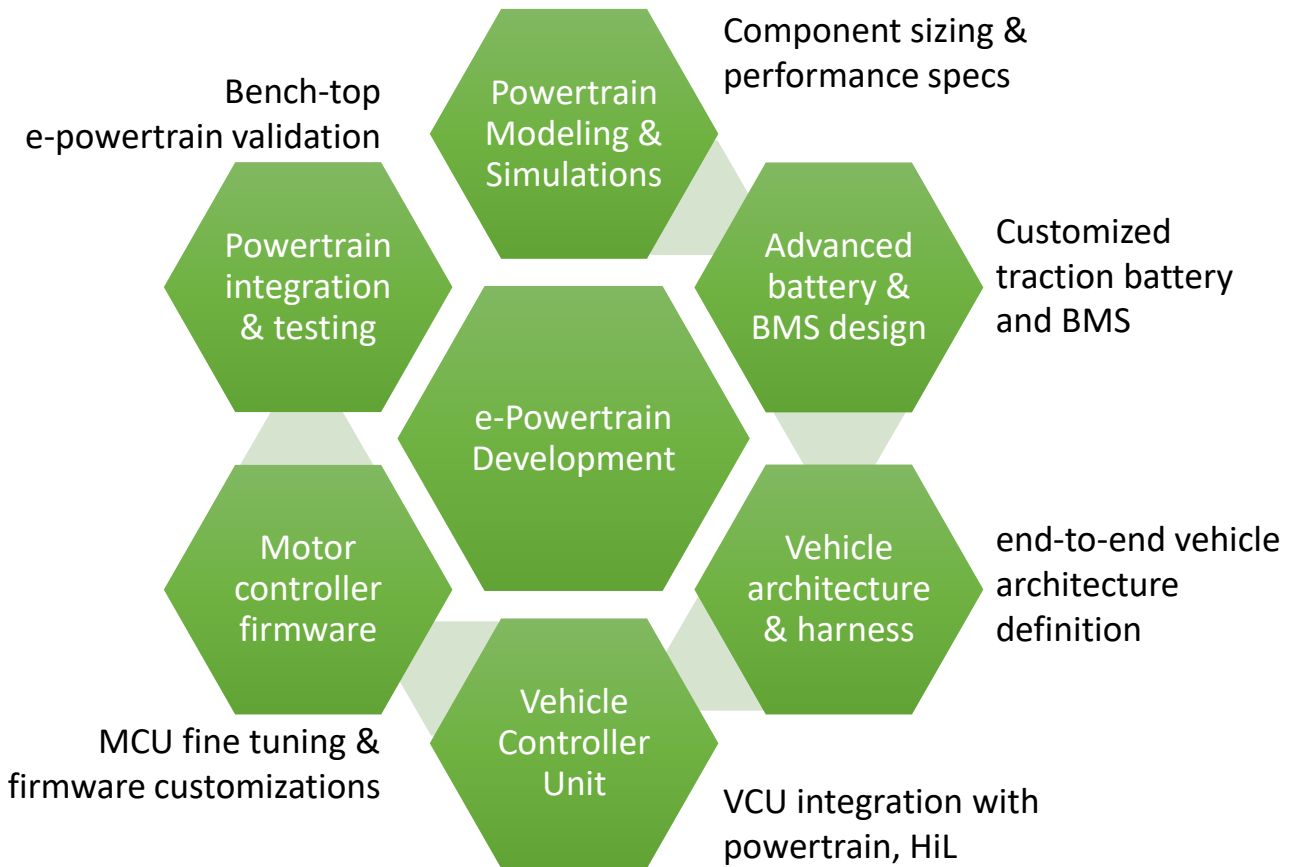


EVhicle Mobility

EV Powertrain Integration Intelligence



e-Powertrain products and end-to-end integration services



EVhicle Mobility Pvt. Ltd.
Pune, Maharashtra, India

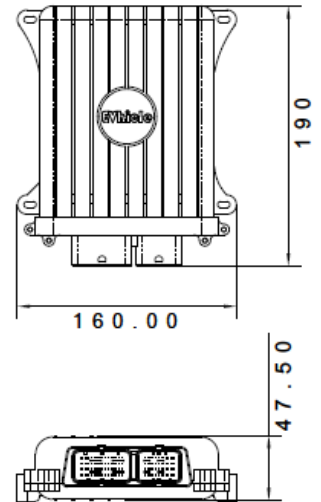
Shrikant Deshmukh
+91-9552579701
business@evhicle.co.in

<https://evhicle.co.in/>

Vehicle Controller Units Specs

DIMENSIONS

Operating Voltage	9 to 36V
Processor	NXP ARM Cortex-M4 (main processor) ARM Cortex-M0 Dual core (edge AI co-processor)
Connector	Molex CMC 80 pins
Communication	2x CAN 2.0B bus 1x SPI bus
Memory	Upto 8MB EEPROM for critical event logging



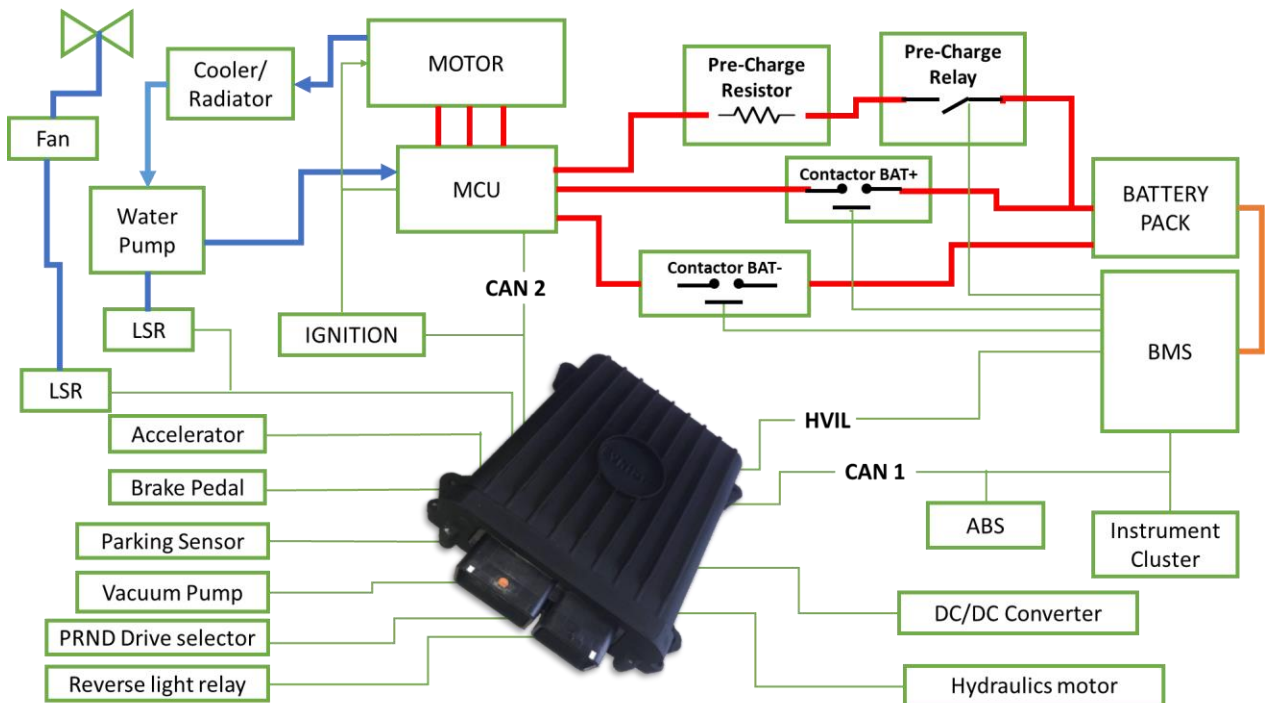
*All dimensions are in mm

INPUTS	
Analog	4x general purpose 2x Differential
Digital	6x Configurable (0-36V) 4x Configurable (0-5V)

MECHANICAL SPECS

Weight	0.5kg
Material	ABS Plastic
Operating Temperature	-20°C to 80°C

OUTPUTS	
High-Side Outputs	4x 1A with current limiting
Low-Side Outputs	6x 3A with current limiting
PWM	2x high frequency PWM



EVhicle Mobility Pvt. Ltd.
Pune, Maharashtra, India

Shrikant Deshmukh
+91-9552579701
business@evhicle.co.in

<https://evhicle.co.in/>